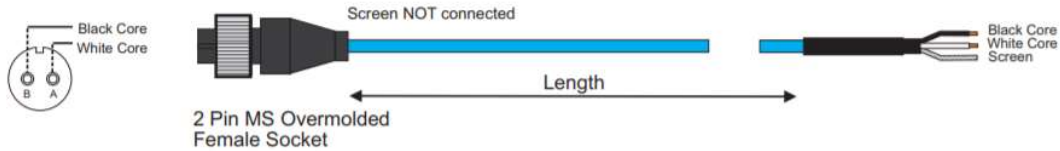


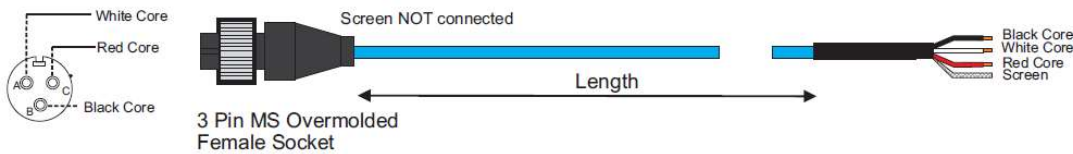
# CABLES FOR PERMANENT INSTALLATIONS

## Teflon (FEP) Cables with Molded Connector

Part No.	Description	Ratings
HSAC356-Q##	Blue FEP Cable with Molded 2-Pin MS (Isolated), Q## = meters	IP67 / 200°C

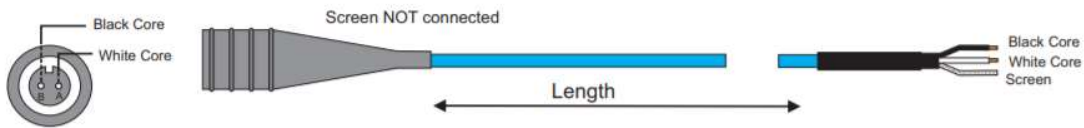


Part No.	Description	Ratings
HSAC440-Q##	Blue FEP Cable with Molded 3-Pin MS (Isolated), Q## = meters	IP67 / 200°C



## Teflon (FEP) Cables with Rubber Boot Connector

Part No.	Description	Ratings
HSAC410-Q##	Blue FEP Cable with Rubber Boot 2-Pin MS (Isolated), Q## = meters	IP68 / 200°C



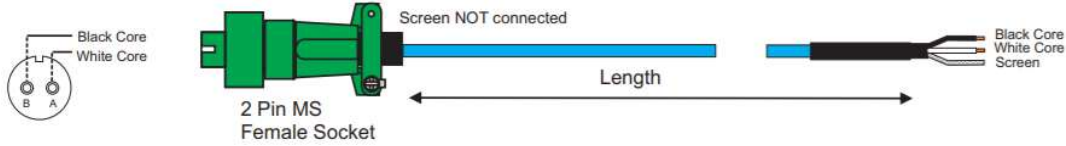
Part No.	Description	Ratings
HSAC425-Q##	Blue FEP Cable with Rubber Boot 3-Pin MS (Isolated), Q## = meters	IP68 / 200°C



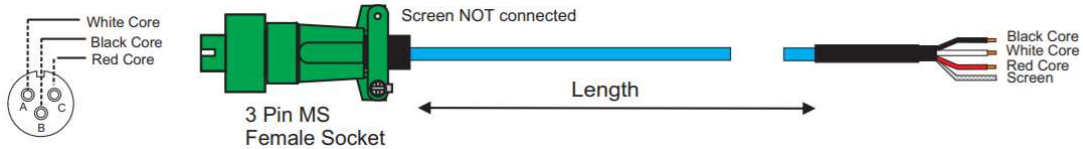
# CABLES FOR PERMANENT INSTALLATIONS

## Polyurethane Cables with MS Connector

Part No.	Description	Ratings
HSAC402-Q##	Polyurethane Cable with 2-Pin MS (Isolated), Q## = meters	IP65 / 100°C

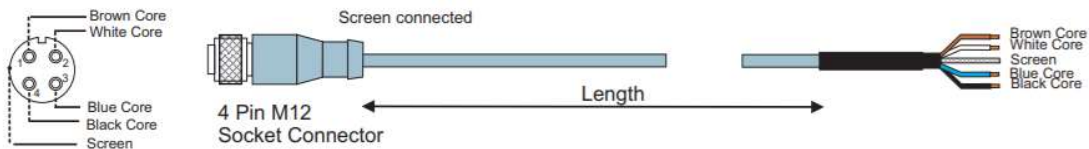


Part No.	Description	Ratings
HSAC158-Q##	Polyurethane Cable with 3-Pin MS (Isolated), Q## = meters	IP65 / 100°C



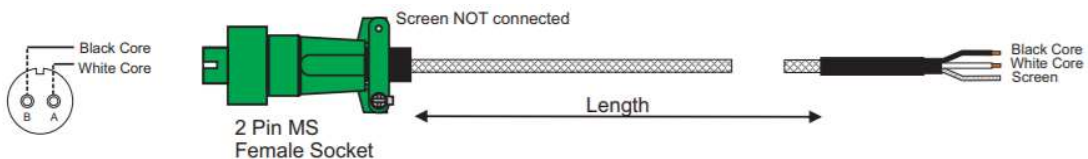
## PUR Cables with M12 (4-Pin) Connector

Part No.	Description	Ratings
HSAC010-Q##	Grey PUR Cable with M12 Connector (Not Isolated), Q## = meters	IP67 / 80°C



## Stainless Braid Cables with MS Connector

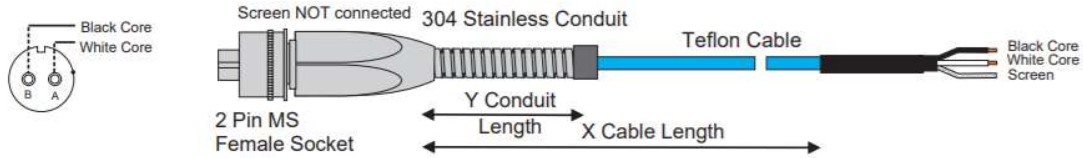
Part No.	Description	Ratings
HSAC008-Q##	SS Braided Cable with 2-Pin MS (Isolated), Q## = meters	IP65 / 150°C



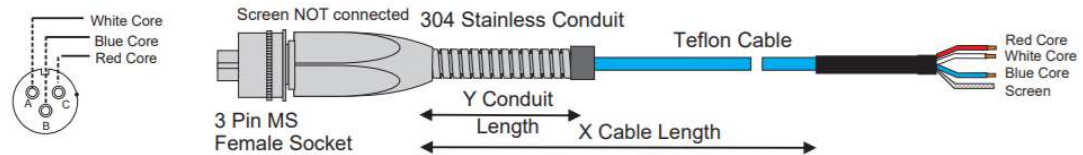
# CABLES FOR PERMANENT INSTALLATIONS

## 304 SS Conduit / Teflon Cables with SS MS Connector

Part No.	Description	Ratings
HSAC569-XXX-YYY	304 SS Conduit, 2-Pin SS MS (Isolated), YYY conduit, XXX cable	IP66 / 200°C



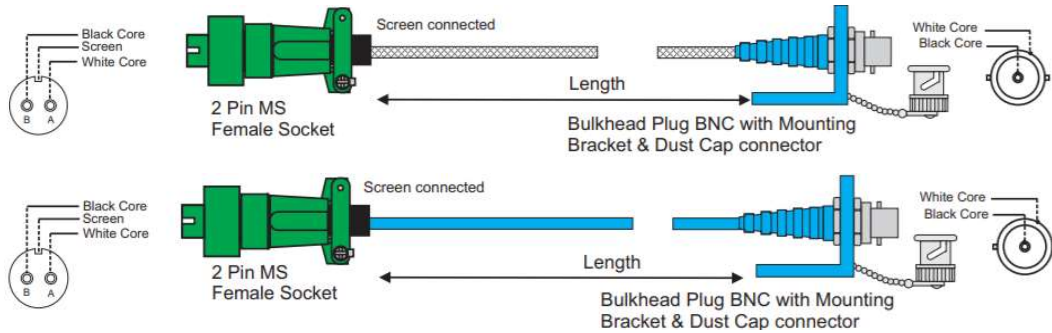
Part No.	Description	Ratings
HSAC570-XXX-YYY	304 SS Conduit, 3-Pin SS MS (Isolated), YYY conduit, XXX cable	IP66 / 200°C



# CABLES FOR PERMANENT INSTALLATIONS

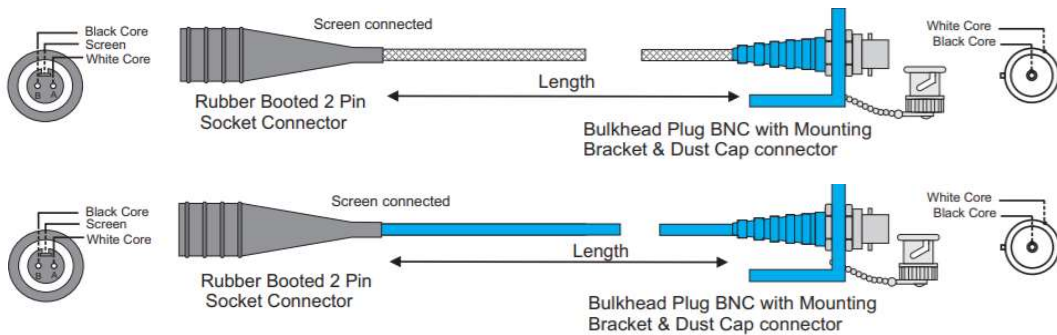
## MS to BNC Mounting Bracket Cables

Part No.	Description	Ratings
HSAC022-Q##	SS Braided cable with 2-Pin MS to BNC Bracket, Q## = meters	IP65 / 150°C
HSAC144-Q##	Silicon cable with 2-Pin MS to BNC Bracket, Q## = meters	IP65 / 150°C



## Rubber Boot Connector to BNC Mounting Bracket Cables

Part No.	Description	Ratings
HSAC170-Q##	SS Braided with Rubber Boot 2-Pin MS to BNC Bracket, Q## = meters	IP66 / 150°C
HSAC174-Q##	Silicon cable with Rubber Boot 2-Pin MS to BNC Bracket, Q## = meters	IP66 / 150°C



## Cable Types Explained

*The table below offers a general guideline on the different types of industrial cable that are suitable to use with accelerometers in different conditions. Cable assembly performance is also dictated by the connector type employed.*

Type	Description
<i>Teflon (FEP)</i>	High temperature resistance (-80 to 200°C), high abrasion and tear resistance, waterproof, excellent chemical resistance.
<i>Silicon</i>	High temperature resistance (-50 to 150°C), very flexible, and waterproof.
<i>PUR</i>	Moderate temperature resistance (-40 to 90°C), high abrasion and tear resistance, waterproof, excellent resistance to oil.
<i>Polyurethane (FR)</i>	Moderate temperature resistance (-40 to 100°C), flame retardant, flexible.
<i>SS Braided</i>	High temperature resistance (-65 to 150°C), very high abrasion and tear resistance, very good chemical resistance.

## IP Ratings Explained

*An IP rating describes the ingress protection against solid foreign objects (first number) and water (second number). The highest rating is IP68 which is completely protected against both dust and water.*

Rating	Description
<i>IP65</i>	Totally protected against dust. Protected against low pressure jets of water from any direction. Suitable for most applications
<i>IP66</i>	Totally protected against dust. Protected against strong jets of water from any direction. Suitable for wet environments.
<i>IP67</i>	Totally protected against dust. Protected against immersion in water for up to 30 min and up to 1m of water. Suitable for very wet environments.
<i>IP68</i>	Totally protected against dust. Protected against complete and continuous submersion in water (up to 100m depth). Waterproof.